

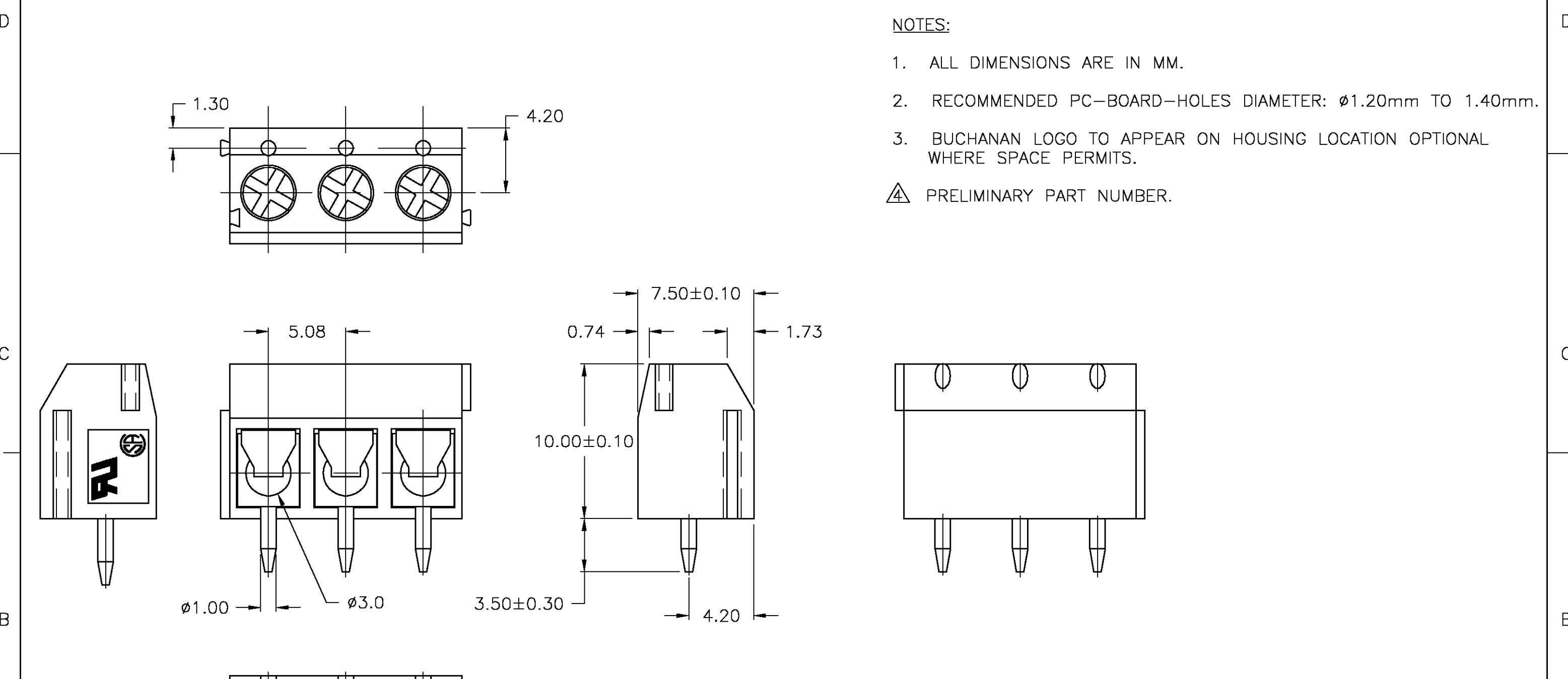
THIS DRAWING IS UNPUBLISHED. RELEASED FOR PUBLICATION  
 © COPYRIGHT BY TYCO ELECTRONICS CORPORATION. ALL RIGHTS RESERVED.

LOC	DIST	REVISIONS			
P	LTR	DESCRIPTION	DATE	DWN	APVD
FT	0	A	REVISED PER 0G3B-0749-04	8/25/04	SS CR

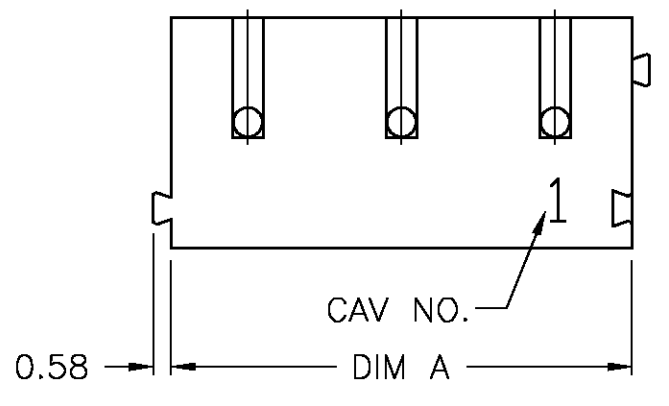
**NOTES:**

1. ALL DIMENSIONS ARE IN MM.
2. RECOMMENDED PC-BOARD-HOLES DIAMETER:  $\phi 1.20\text{mm}$  TO  $1.40\text{mm}$ .
3. BUCHANAN LOGO TO APPEAR ON HOUSING LOCATION OPTIONAL WHERE SPACE PERMITS.

**⚠** PRELIMINARY PART NUMBER.



DIM A	NO. OF POS.	PART NUMBER
25.40	5	1546697-5
<b>⚠</b> 15.24	3	1546697-3
<b>⚠</b> 10.16	2	1546697-2



THIS DRAWING IS A CONTROLLED DOCUMENT.		DWN S SCHLEGEL 6/10/03	<b>BUCHANAN</b> Tyco Electronics Corporation Harrisburg, Pa 17105-3608		
DIMENSIONS: mm		CHK C RICHARD 6/10/03			
TOLERANCES UNLESS OTHERWISE SPECIFIED:		APVD C RICHARD 6/10/03	NAME TERMINAL BLOCK PCB MOUNT, STRAIGHT SIDE WIRE ENTRY, LOW PROFILE W/INTERLOCK, 5.08mm PITCH (LT)		
0 PLC $\pm -$ 1 PLC $\pm 0.3$ 2 PLC $\pm 0.25$ 3 PLC $\pm -$ 4 PLC $\pm -$ ANGLES $\pm -$		PRODUCT SPEC -	SIZE A3		
MATERIAL -		FINISH -	APPLICATION SPEC -	CAGE CODE 00779	DRAWING NO C-1546697
CUSTOMER DRAWING			WEIGHT -	RESTRICTED TO -	SCALE NTS
			SHEET 1 OF 2		REV A

THIS DRAWING IS UNPUBLISHED. RELEASED FOR PUBLICATION  
 © COPYRIGHT - BY TYCO ELECTRONICS CORPORATION. ALL RIGHTS RESERVED.

LOC	DIST	REVISIONS				
P	LTR	DESCRIPTION	DATE	DWN	APVD	
FT	0	—	—	—	—	
		SEE SHEET 1	—	—	—	

### 1. Application and Features:

- 1-1. Standard sizes are 2 and 3 way-blocks, but every number of contact can be combined, by simply plugging them together and can be ordered as required\*\*
- 1-2. With wire guard for wire protection (for that the screw doesn't press directly on the wire)

### 2-3. Mechanical:

- 2-3-1. Torque: 4 Kg.cm (Max).
- 2-3-2. Operating temperature: -55°C to +105°C.
- 2-3-3. Solderability: 95% coverage (min).

### 2. Technical Data:

#### 2-1. Material:

- 2-1-1. HOUSING: NY-FR15 UL 94 V-0 (BLACK).
- 2-1-2. Metal Housing: Brass(Cu Zn)  
Cu,Tin plated.
- 2-1-3. Wire guard: Stainless steel.
- 2-1-4. Screw: Steel galvanized and chromated, M2.6

#### 2-2. Electrical:

- 2-2-1. Current rating: 10 Amps/way max.
- 2-2-2. Contact resistance: 20mΩ (Max).
- 2-2-3. Insulation resistance: 5000MΩ /1000V.
- 2-2-4. Withstanding Voltage: 1500VAC (1min).  
test time =60sec/1pcs
- 2-2-5. Operation Voltage: 300 VAC.
- 2-2-6. Wire Range: 14-22 AWG.

THIS DRAWING IS A CONTROLLED DOCUMENT.		DWN S SCHLEGEL 6/10/03	Tyco Electronics Corporation		
DIMENSIONS: mm		CHK C RICHARD 6/10/03	Harrisburg, Pa 17105-3608		
TOLERANCES UNLESS OTHERWISE SPECIFIED:		APVD C RICHARD 6/10/03	NAME		
0 PLC ± -		PRODUCT SPEC	TERMINAL BLOCK PCB MOUNT STRAIGHT		
1 PLC ± -		APPLICATION SPEC	SIDE WIRE ENTRY, LOW PROFILE		
2 PLC ± -		WEIGHT	SIZE	CAGE CODE	DRAWING NO
3 PLC ± -		—	A3	00779	C-1546697
4 PLC ± -		CUSTOMER DRAWING	SCALE	SHEET	REV
ANGLES ± -		—	NTS	2 OF 2	A
MATERIAL		FINISH	RESTRICTED TO		
—		—	—		